

PLEASE CHECK WWW.MOLEX.COM FOR LATEST PART INFORMATION

Part Number: [0493492411](#)
Status: **Active**
Description: .50mm (.020") Pitch Shutter I/O Connector 24 Pin

Documents:

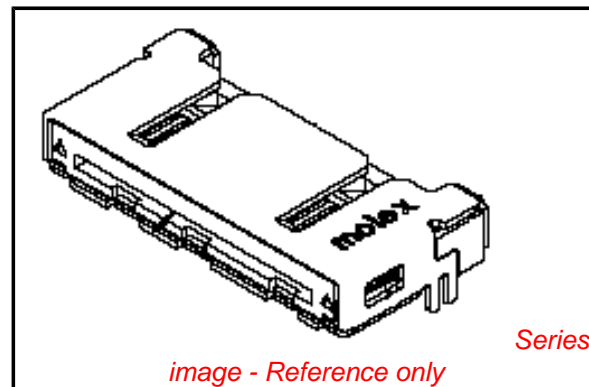
[3D Model](#) [Product Specification PS-49349-001 \(PDF\)](#)
[Drawing \(PDF\)](#) [RoHS Certificate of Compliance \(PDF\)](#)

General

Product Family	I/O Connectors
Series	49349
Application	Wire-to-Board
Component Type	Receptacle
Product Name	N/A
Type	N/A
Physical	
Boot Color	N/A
Circuits (Loaded)	24
Circuits (maximum)	24
Color - Resin	Black
Gender	Receptacle
Keying to Mating Part	None
Lock to Mating Part	Yes
Material - Metal	Stainless Steel
Material - Plating Mating	Gold
Material - Plating Termination	Nickel
Material - Resin	High Temperature Thermoplastic
Number of Rows	1
Orientation	Horizontal
PC Tail Length (in)	0.000 In
PC Tail Length (mm)	0.00 mm
PCB Locator	Yes
PCB Thickness Recommended (in)	0.000 In
PCB Thickness Recommended (mm)	0.00 mm
Packaging Type	Embossed Tape on Reel
Panel Mount	Mounting Holes Between Circuit
Pitch - Mating Interface (in)	0.020 In
Pitch - Mating Interface (mm)	0.50 mm
Pitch - Term. Interface (in)	0.020 In
Pitch - Term. Interface (mm)	0.50 mm
Polarized to Mating Part	Yes
Polarized to PCB	Yes
Ports	1
Surface Mount Compatible (SMC)	No
Temperature Range - Operating	-20°C to +65°C
Termination Interface: Style	Surface Mount
Waterproof / Dustproof	No

Electrical

Current - Maximum per Contact	0.5A
Grounding to Panel	None
Shield Type	Full Shield
Shielded	Yes
Voltage - Maximum	30V AC (RMS)/DC



EU RoHS

**ELV and RoHS
Compliant**
REACH SVHC
 Not Reviewed
**Halogen-Free
Status**
 Not Reviewed

China RoHS



**Need more information on product
environmental compliance?**

Email productcompliance@molex.com
 For a multiple part number RoHS Certificate of
 Compliance, [click here](#)

Please visit the [Contact Us](#) section for any
 non-product compliance questions.

Search Parts in this Series

[49349Series](#)

Material Info

Reference - Drawing Numbers

Product Specification

Sales Drawing

PS-49349-001

SD-49349-001, SD-49349-501

This document was generated on 04/15/2010

PLEASE CHECK WWW.MOLEX.COM FOR LATEST PART INFORMATION

DWG. NO. SD-49349-001
 PROJECT NO. SIMILAR ITEM
 DO NOT SCALE DRAWING DIMENSION IN METRIC

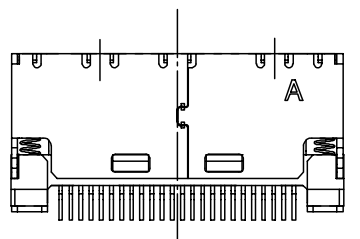
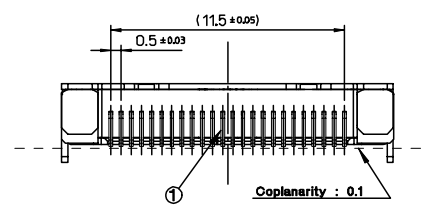
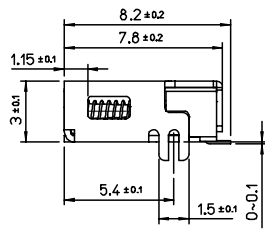
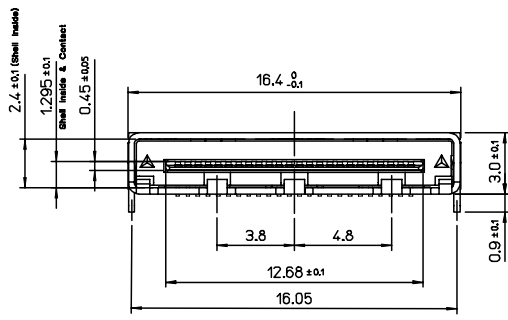
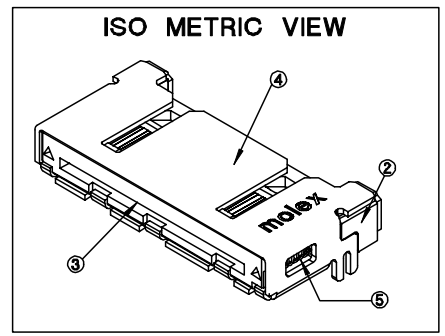
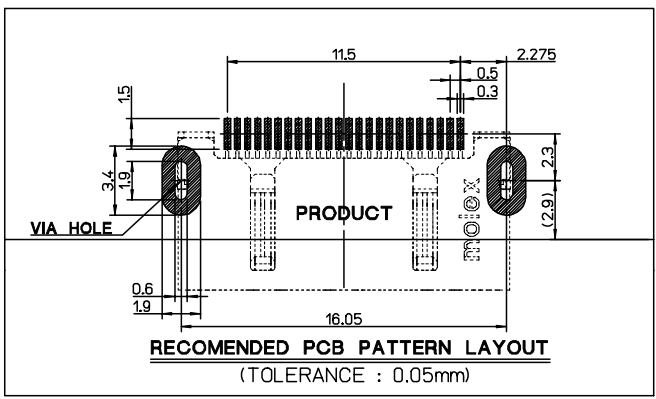
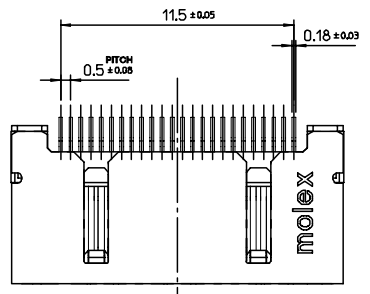


TABLE 2

NO.	DESCRIPTION	MATERIAL	FINISH
⑤	COMPRESSION SPRING	STAINLESS STEEL	NONE
④	METAL SHELL	STAINLESS STEEL	NICKEL
③	SHUTTER	POLY AMIDE UL94V-0	BLACK COLOR
②	OVERMOLD HOUSING	POLY AMIDE UL94V-0	BLACK COLOR
①	CONTACT TERMINAL	COPPER ALLOY	SELECTIVE GOLD

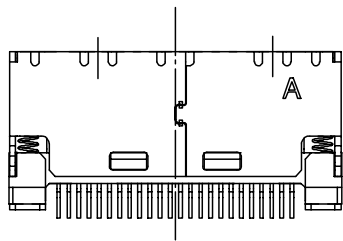
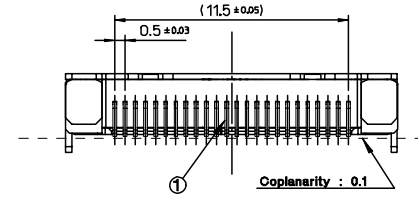
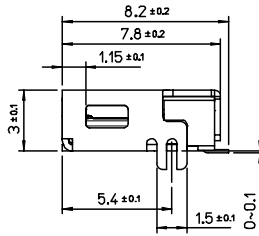
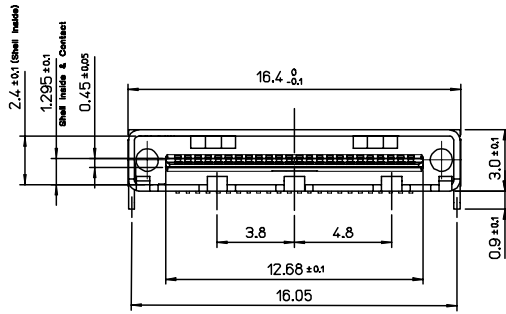
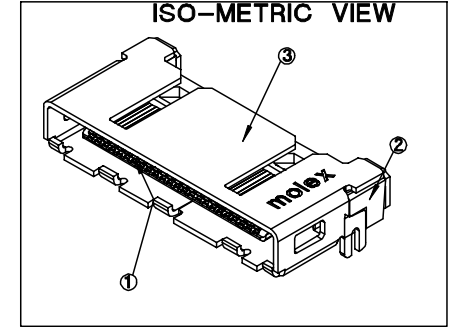
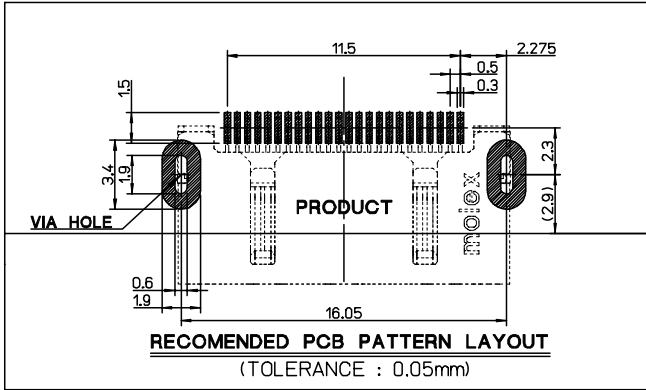
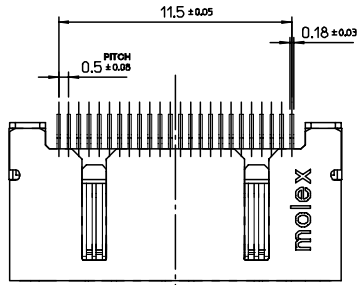
TABLE 1

COLOR	MATERIAL NO.	ENGINEERING NO.
BLACK	493492411	49349-2411

NOTES

1. MATERIALS: SEE TABLE 2
2. FINISHES: SEE TABLE 2
3. PRODUCT SPECIFICATION : PS-49349-001
4. COPLANARITY OF SOLDER TAILS : 0.1mm MAX.
5. PACKAGING SPECIFICATION : PK-49349-001

REVISED	ECN NO. KOR2007-0018 DRWN: E.S.JUNG 06/08/24 CHK: S.H.JOO APPR: S.J.SEH	DESCRIPTION	QUALITY SYMBOLS	GENERAL TOLERANCES: (UNLESS SPECIFIED)	SCALE	DESIGN UNITS	THIRD ANGLE PROJECTION	TITLE: 0.5 SHUTTER I/O CONN.24P For 0.5 Shutter I/O Conn. 24p Receptacle Assy (REVERSE TYPE)		
			MAJOR CRITICAL C	mm INCH	4 : 1	mm INCH	<input checked="" type="checkbox"/> mm <input type="checkbox"/> INCH	<input type="checkbox"/> mm <input type="checkbox"/> INCH	<input checked="" type="checkbox"/> mm ONLY	SHT
A	REV	DESCRIPTION	4 PLACES	ANGULAR: ± °	DRAWN BY & DATE E.S.JUNG 05/08/11		MATERIAL NO. DRAWING NO. SHEET NO.			
			3 PLACES	DRAFT WHERE APPLICABLE MUST REMAIN WITHIN DIMENSIONS	CHECKED BY & DATE S.H.JOO		SEE TABLE	SD-49349-001	1 OF 1	
			2 PLACES	APPROVED BY & DATE S.J.SEH			THIS DRAWING CONTAINS INFORMATION THAT IS PROPRIETARY TO MOLEX INCORPORATED AND SHOULD NOT BE USED WITHOUT WRITTEN PERMISSION.			
			1 PLACE	CAD FILENAME SD49349001.MI			KOREA MX-A3			



NOTES

1. MATERIALS: SEE TABLE 2
2. FINISHES: SEE TABLE 2
3. PRODUCT SPECIFICATION : PS-49349-001
4. COPLANARITY OF SOLDER TAILS : 0.1mm MAX.
5. PACKAGING SPECIFICATION : PK-49349-001

TABLE 2

③	METAL SHELL	STAINLESS STEEL	NICKEL
②	OVERMOLD HOUSING	POLY AMIDE UL94V-0	BLACK COLOR
①	CONTACT TERMINAL	COPPER ALLOY	SELECTIVE GOLD
NO.	DESCRIPTION	MATERIAL	FINISH

TABLE 1

BLACK	493492451	49349-2451
COLOR	MATERIAL NO.	ENGINEERING NO.
DIMENSIONS:		SHT REV
<input type="checkbox"/> mm <input type="checkbox"/> INCH	<input checked="" type="checkbox"/> mm <input type="checkbox"/> INCH	REVISE ON CAD ONLY

REVISED ECN NO. KOR2007-0053 DRWN: S.H.JOO 08/11/23 CHK: APPR: S.J.SEH	QUALITY SYMBOLS	GENERAL TOLERANCES: (UNLESS SPECIFIED)	SCALE 4 : 1	DESIGN UNITS <input checked="" type="checkbox"/> mm <input type="checkbox"/> INCH	THIRD ANGLE PROJECTION	TITLE: 0.5 SHUTTER I/O CONN.24P For 0.5 Shutter I/O Conn. 24p Receptacle Ass'y (REVERSE, NO SHUTTER TYPE)
	MAJOR CRITICAL C	4 PLACES ±0.1 3 PLACES ±0.05 2 PLACES ±0.05 1 PLACE ±0.1	mm INCH	DRAWN BY & DATE E.S.JUNG 05/08/11 CHECKED BY & DATE S.H.JOO APPROVED BY & DATE S.J.SEH	<input type="checkbox"/> mm <input type="checkbox"/> INCH <input checked="" type="checkbox"/> mm ONLY	MOLEX INCORPORATED
A1	DESCRIPTION	ANGULAR: ± °	CAD FILENAME SD49349001.MI	MATERIAL NO. SEE TABLE	DRAWING NO. SD-49349-501	SHEET NO. 1 OF 1
DRAFT WHERE APPLICABLE MUST REMAIN WITHIN DIMENSIONS		THIS DRAWING CONTAINS INFORMATION THAT IS PROPRIETARY TO MOLEX INCORPORATED AND SHOULD NOT BE USED WITHOUT WRITTEN PERMISSION.				SIZE B